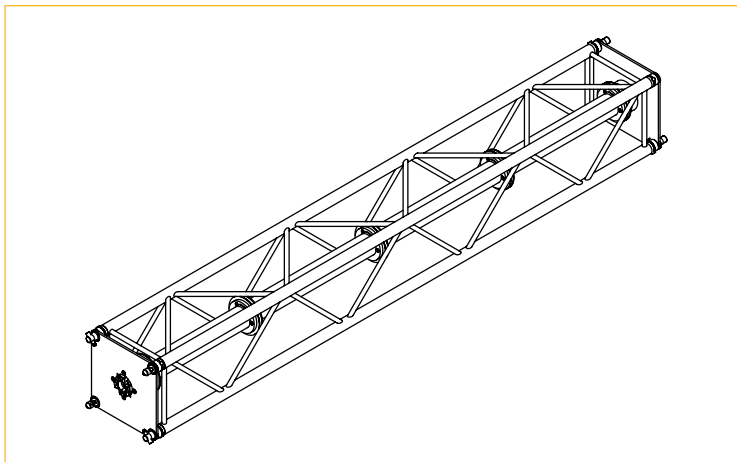


## VENETIA TRUSS ROLLER

### TECHNICAL DATA SHEET

September 2017

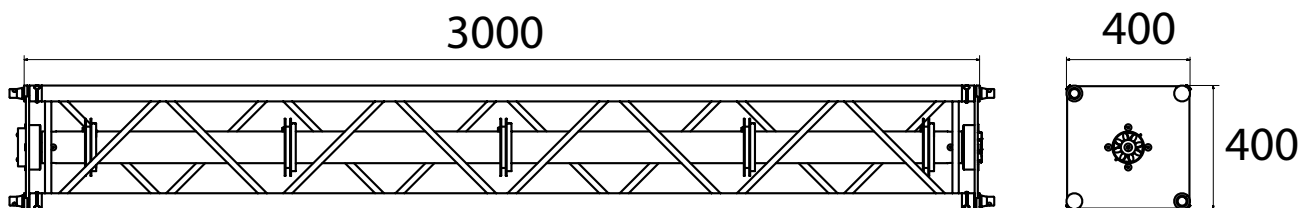
The Venetia is our tour-proof axis designed for Venetian and Austrian opening and Roman Blind systems.



#### » SPECIFICATIONS

- Compatible with our Roll-Up motor range
- Easy coupling of axes - modular design allows for custom solutions
- Standard module length is 3m
- Built into a standard 40x40 truss
- Choose the number of flanges you need
- Easy rope tensioning and horizontal positioning of flanges

#### » AXIS DIMENSIONS (MM)

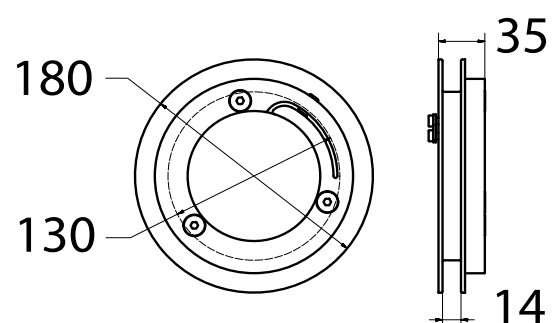


#### » MAXIMUM LOADINGS

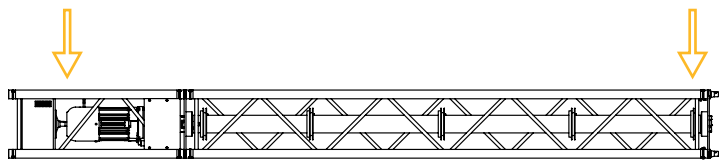
- Maximum (distributed) load per axis: 75kg
- Maximum load per flange: 15kg

! Use rope compliant to safety regulations and design factors for your application! (e.g. RibCord 2mm at SF 10: max. load is 12 kg)

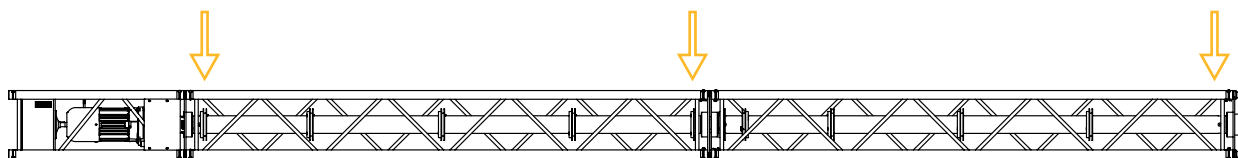
! Respect maximum loading (torque) of driving motor!



» **RIGGING POINTS**



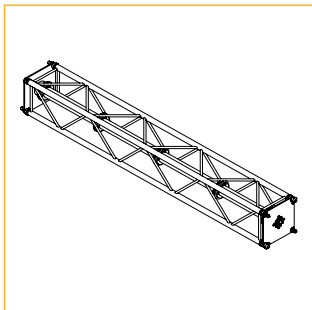
≤ 3 m + motor - rigging on outer sides



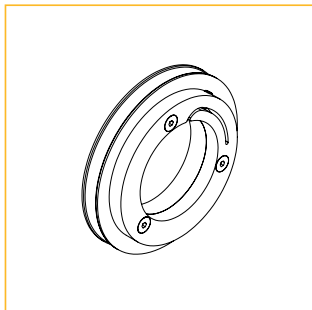
≥ 6 m + motor - rigging on each axis bearing block

» COMPONENTS (MM)

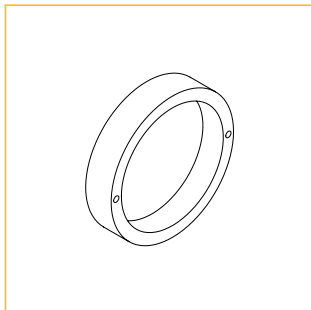
AXIS & ACCESSORIES



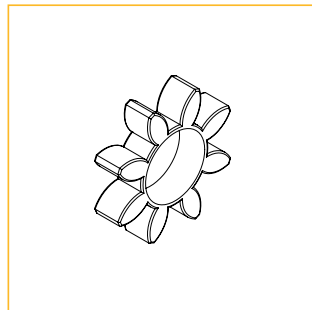
1. Venetia Truss Roller



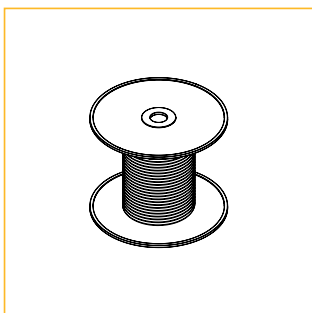
2. Flange



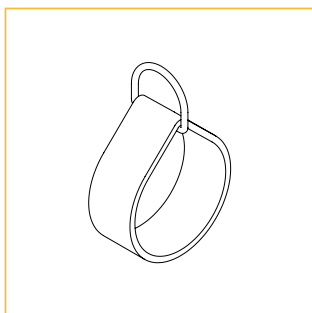
3. Coupling Protection Cover



4. Connection Rubber

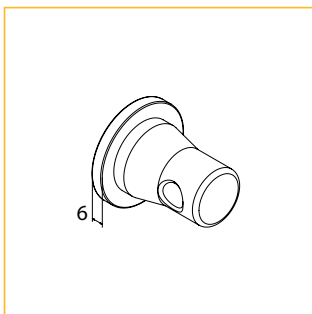


5. Rib Cord (2 mm)

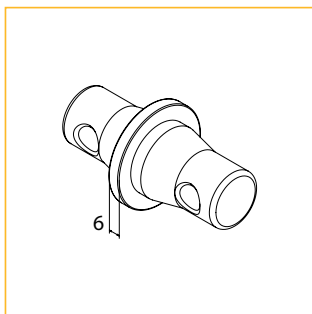


6. D-Ring with Hook & Loop Fastener Strap

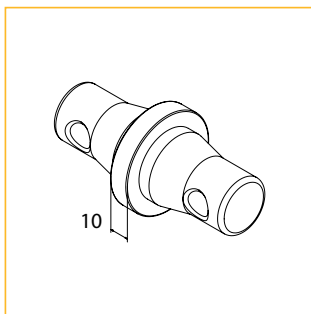
COUPLERS



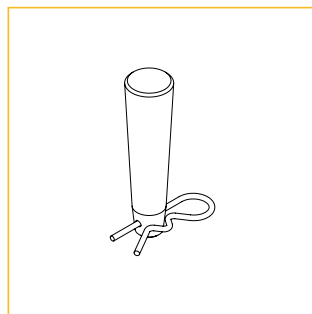
7. Conical Endpiece



8. Conical Coupler Truss-Roll

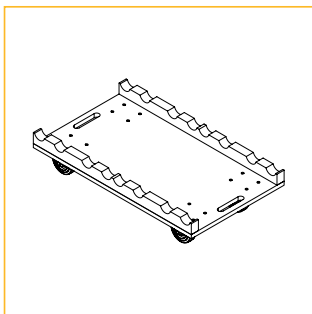


9. Conical Coupler Roll-Roll

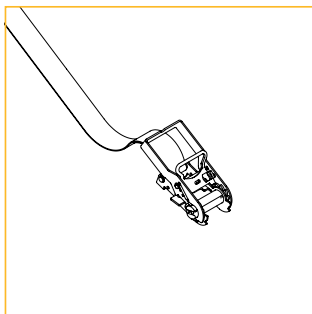


10. Pen + Safety Clip

TRANSPORT



11. Truss Trolley



12. Ratchet Fastener

» **COMPONENTS**

<b>Name</b>	<b>Article code</b>	<b>Colour</b>	<b>Weight</b>	<b>Info</b>
1. Venetia Truss Roller	8140 3116 3007	Black / Aluminum	64 kg/piece	Dimensions: 40 x 40 x 300 cm Diameter: 10 cm
2. Flange	8140 3116 3017	Aluminum	0.61 kg/piece	Dimensions: 1.8 x 35 cm Diameter: 13 cm
3. Coupling Protection Cover	8140 3116 3027	Aluminum	0.5 kg/piece	
4. Connection Rubber	8140 9999 0007	Orange	0.060 kg/piece	
5. RibCord (2mm)	7550 0002 0007 7550 0002 0003	Black White	0.452 kg/piece 0.452 kg/piece	
6. D-ring With Hook & Loop Fastener Strap	8140 3116 3037	Black	0.024 kg/piece	
7. Conical Endpiece	8140 2247 0004	Aluminum	0.114 kg/piece	for safe transport
8. Conical Coupler Truss-Roll	8140 2247 0124	Aluminum	0.180 kg/piece	connents the motor to the axis
9. Conical Coupler Roll-Roll	8140 2247 0224	Aluminum	0.226 kg/piece	connects the axes
10. Truss Trolley	8140 6050 0407	Black	15.2 kg/piece	
11. Ratchet Fastener	8800 0372 3007	Black	0.250 kg/piece	Length: 300 cm
	8800 0372 5009	Black	0.250 kg/piece	Length: 500 cm

**HAVE A GREAT SHOW!**  
MORE INFO ON [WWW.SHOWTEX.COM](http://WWW.SHOWTEX.COM)