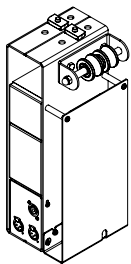


## RTD 1000

### TECHNICAL DATA SHEET

September 2018

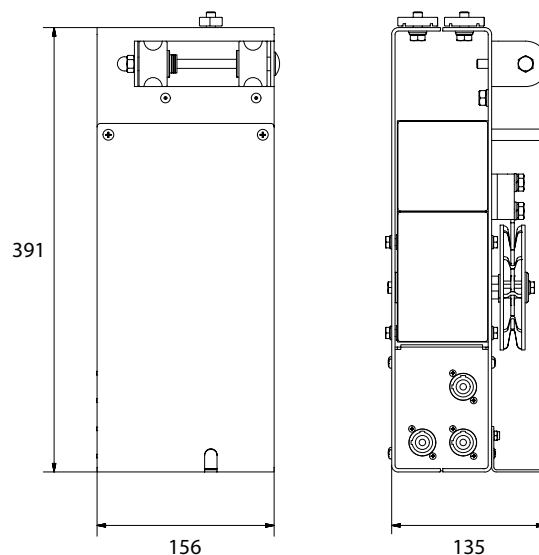
The RTD 1000 is a budget friendly compact track motor for basic motorised track control, ideal for simple rope operation, as used for fixed installations in theatres and venues.



#### » SPECIFICATIONS

- Equipped with an easy to use manual control with open/close switch.
- Fixed speed of 40 cm/sec.
- Works with H100, ShowPipe and ShowTrack.
- Optional DMX basic module for control through a lighting console.

#### » OUTER DIMENSIONS (MM)

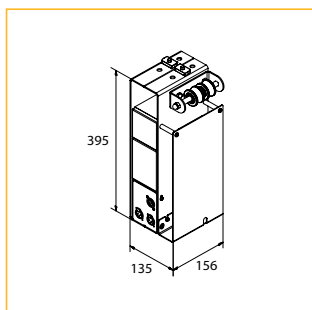


#### » ELECTRICAL AND MECHANICAL PROPERTIES

- |                                                                                                                                                                            |                                                                                                                                                                                                |
|----------------------------------------------------------------------------------------------------------------------------------------------------------------------------|------------------------------------------------------------------------------------------------------------------------------------------------------------------------------------------------|
| <ul style="list-style-type: none"> <li>• Motor torque: 6 Nm</li> <li>• Motor speed: 100 rpm</li> <li>• Maximum rope force: 150 N</li> <li>• Rope speed: 24 cm/s</li> </ul> | <ul style="list-style-type: none"> <li>• Motor Power: 90W</li> <li>• Power in: 1 x 230 VAC, 2.3A</li> <li>• Power connection: PowerCON 20A - SpeakON 16A</li> <li>• Duty cycle: 15%</li> </ul> |
|----------------------------------------------------------------------------------------------------------------------------------------------------------------------------|------------------------------------------------------------------------------------------------------------------------------------------------------------------------------------------------|

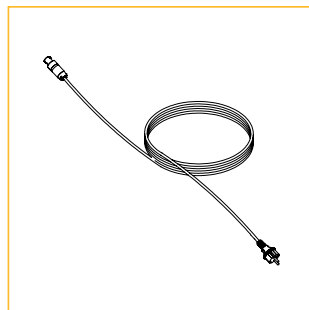
## » COMPONENTS (MM)

### MOTOR

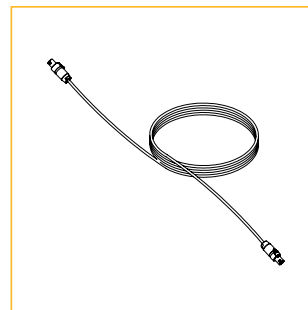


1. Motor

### CABLES

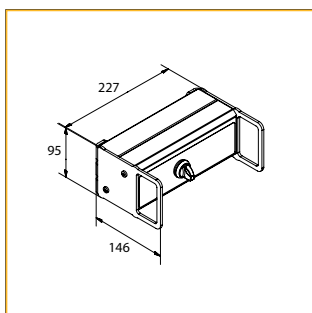


2. Power Supply Cable

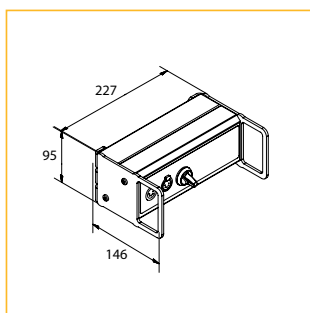


3. Link Cable

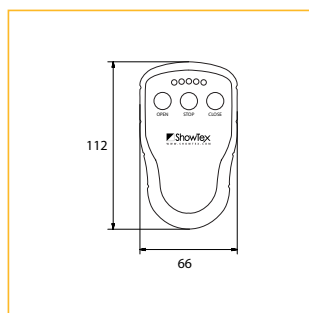
### CONTROLLERS



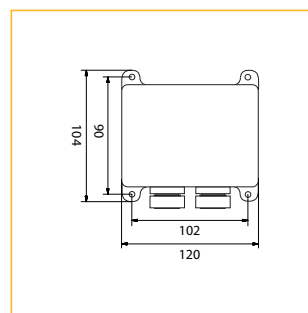
4. Remote unit RTD 1000



5. RTD 1000 DMX Basic Module (optional)

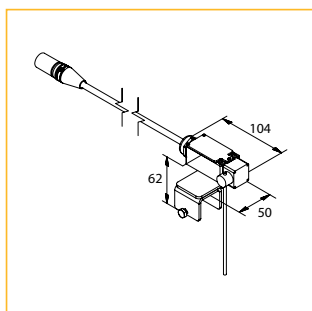


6. RF Remote (optional)

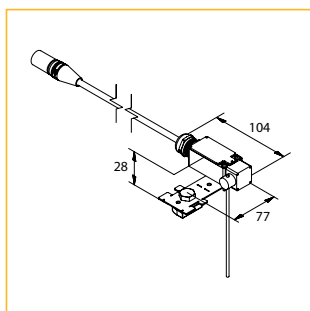


7. RF Receiver (optional)

### LIMIT SWITCHES



8. Limit Switch Set (Rail H100)

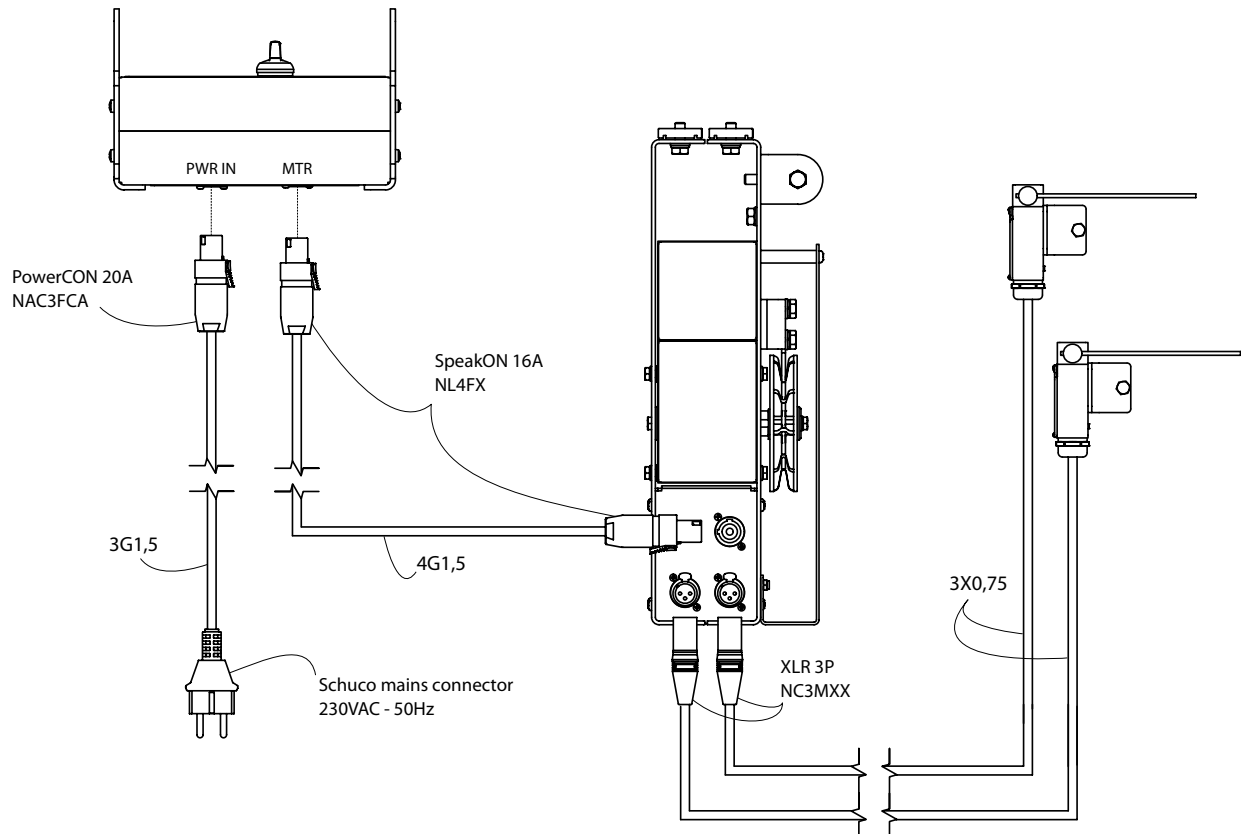


9. Limit Switch Set (ShowPipe)

NAME	ART.NR.	WEIGHT	INFORMATION
1. RTD 1000 motor	8050 0713 2217	11.8 kg/pc	90 W • 1x230 V • 2.3 A • 6 Nm • 100 rpm
2. Power Supply Cable	8150 0912 0027	0.40 kg/pc	Length: 2 m
3. Link Cable	8160 0915 0257	3.39 kg/pc	Length: 25 m
4. Remote unit RTD 1000	8050 0950 0007	1.55 kg/pc	
5. RTD 1000 DMX Basic Module	8050 0766 0200	1.92 kg/pc	optional
6. RF Remote	8050 0950 0200	0.14 kg/pc	optional • 2.4 GHz radio • range: up to 700m (open space)
7. RF Receiver	8050 0950 0300	0.32 kg/pc	optional • 5 channels
8. Limit Switch Set for Rail H100	8050 0770 0020	0.23 kg/pc	For Rail H100 • 2 pieces • with 25 m cable
9. Limit Switch Set for ShowPipe	8050 0770 0010	0.23 kg/pc	For ShowPipe • 2 pieces • with 25 m cable

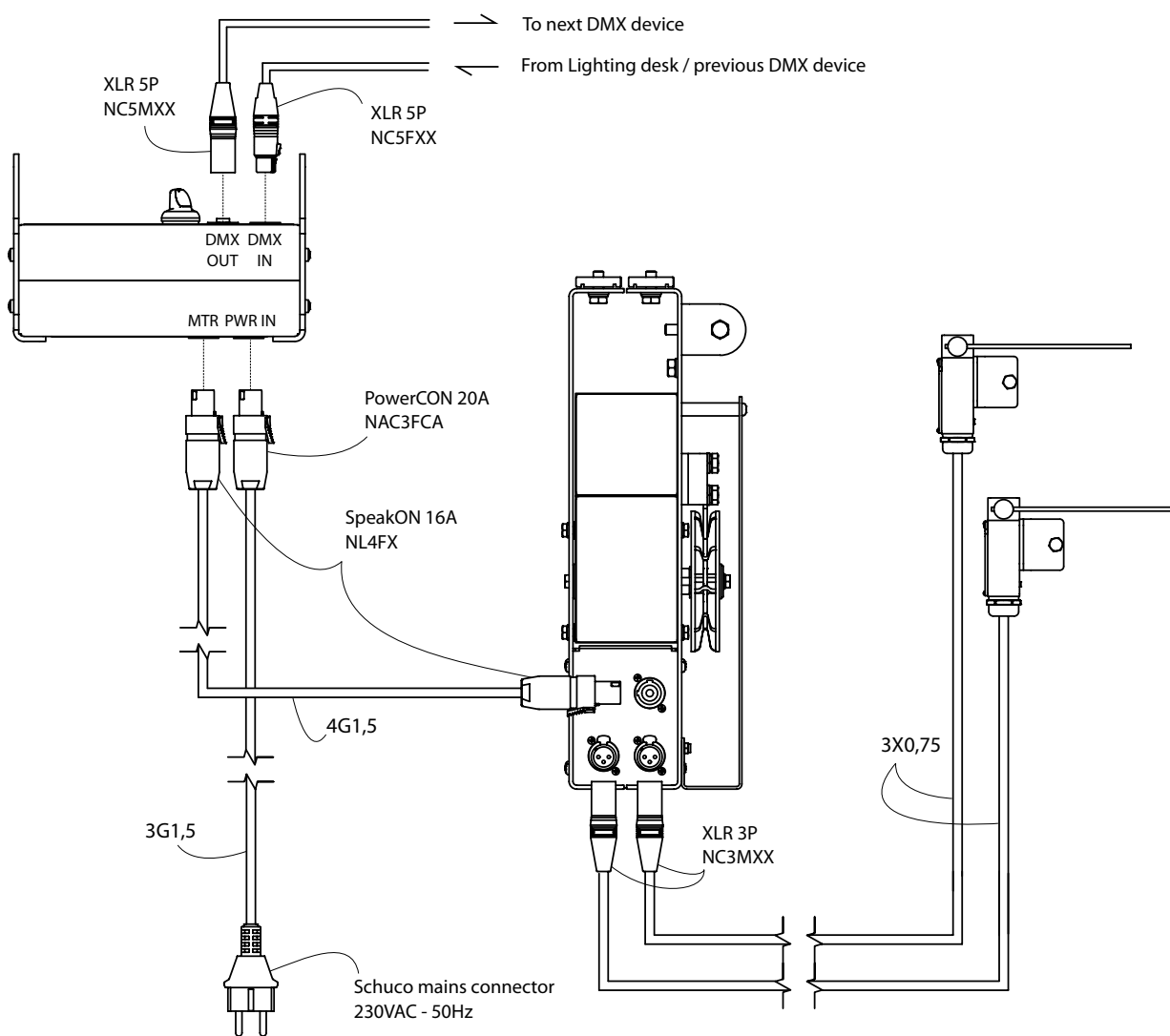
» ELECTRICAL WIRING & CONNECTORS

» STANDARD MANUAL CONTROL UNIT



» ELECTRICAL WIRING & CONNECTORS

» DMX BASIC CONTROL UNIT



**HAVE A GREAT SHOW!**  
MORE INFO ON [WWW.SHOWTEX.COM](http://WWW.SHOWTEX.COM)