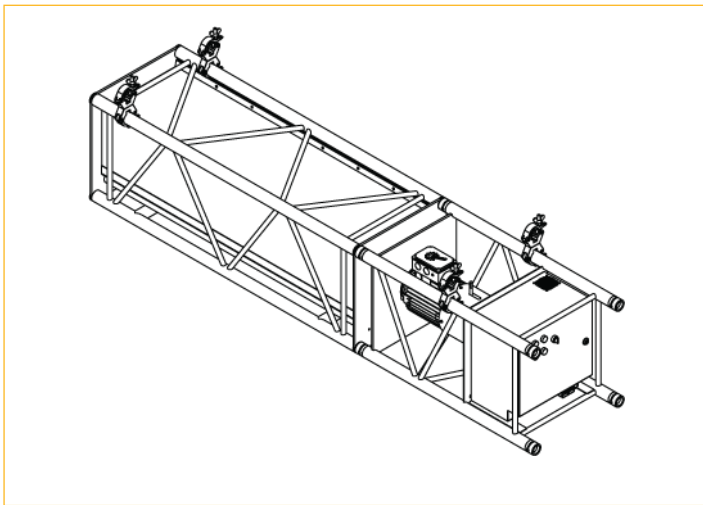


HISPEED REVEAL

TECHNICAL DATA SHEET

June 2018

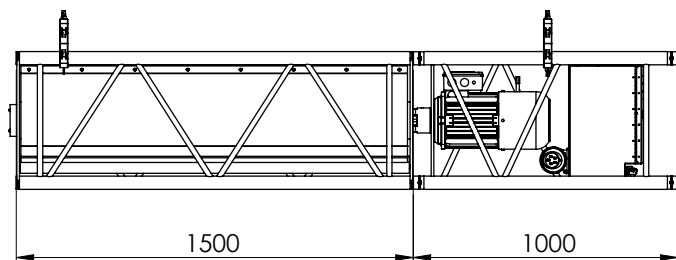
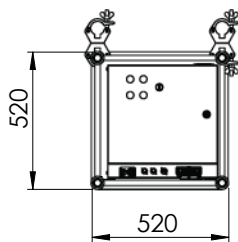
HiSpeed Reveal is our touring adapted system for reveals and kabuki dropping «sniffing» effects.



» SPECIFICATIONS

- Quick installation
- USB configuration update (*plug&play*)
- Remote Control
- Built into a standard 50x50 truss
- Easy horizontal flange positioning
- Up to 100m² at 7.5m/s
- Standard module length is 2.5m

» OUTER DIMENSIONS (MM)



» ELECTRONICAL AND MECHANICAL PROPERTIES

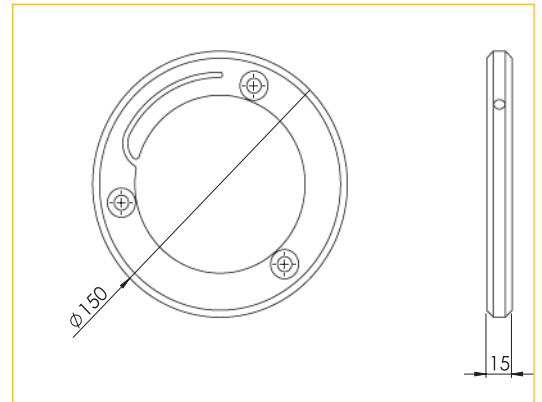
- Maximum fabric weight : 15kg
- Maximum fabric size : 100m²
- Maximum Speed : 7.5m/s
- Motor Power : 4 kW
- Power in : 3 x 380V

» **MAXIMUM LOADINGS**

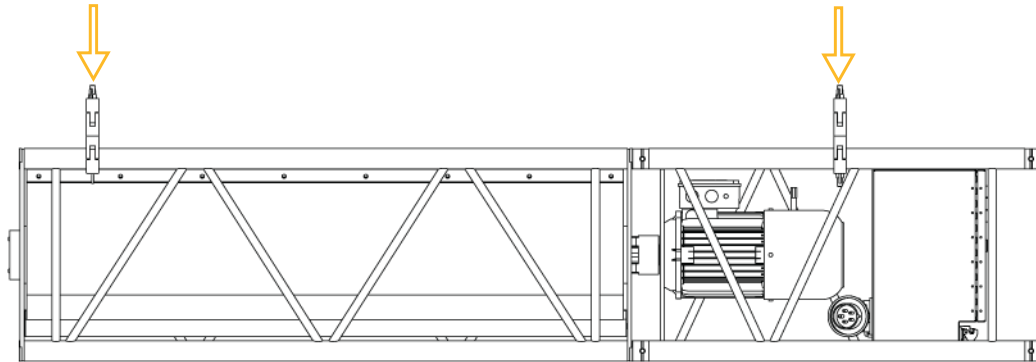
- Maximum load per flange : 15kg

! Use rope compliant to safety regulations and design factors for your application! (e.g. RibCord 2mm at SF 10: max. load is 12kg).

! Respect maximum loading (torque) of driving motor.

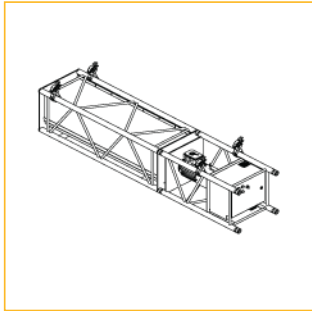


» **RIGGING POINTS**

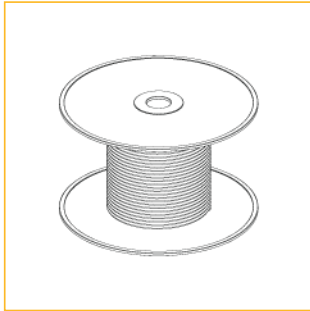


» COMPONENTS (MM)

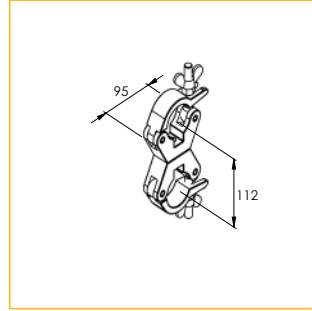
AXIS & ACCESSORIES



1. HiSpeed Reveal

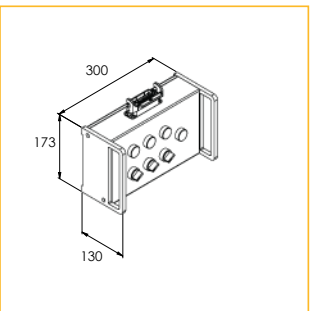


2. Rib Cord (2mm)

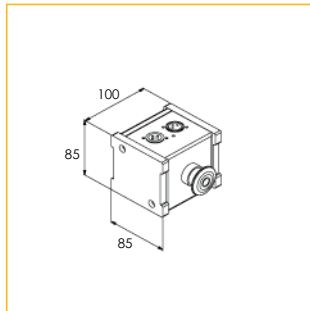


3. Turn Coupler 750kg

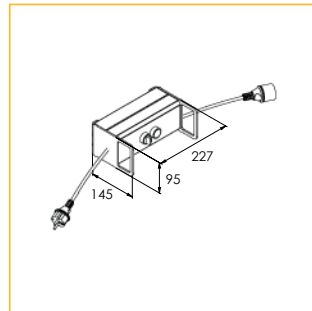
CONTROL



4. Remote Unit

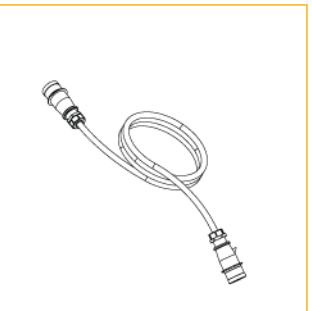


5. Emergency Unit



6. Control Unit

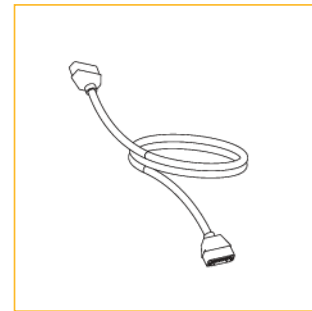
CABLES



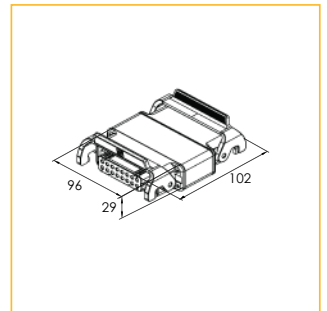
7. Power Supply Cable



8. Emergency Stop Link Cable



9. Remote Cable



10. Remote Cable Connector



11. Trigger Cable



12. Extension Cable

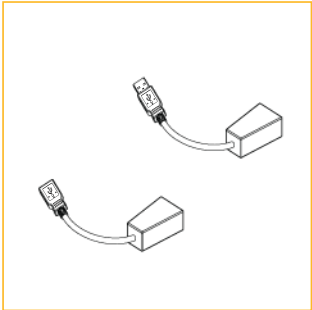


13. USB Cable



14. Trigger Extension Cable

» **COMPONENTS (MM)**

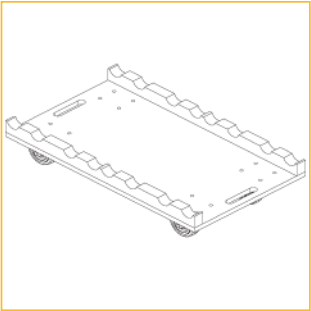


15. Adapter USB/UTP

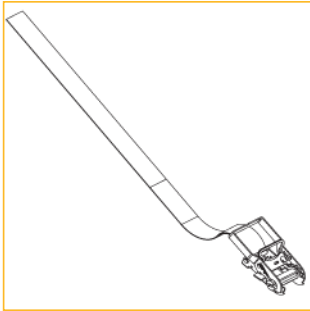


16. UTP Cable

TRANSPORT



17. Truss Trolley



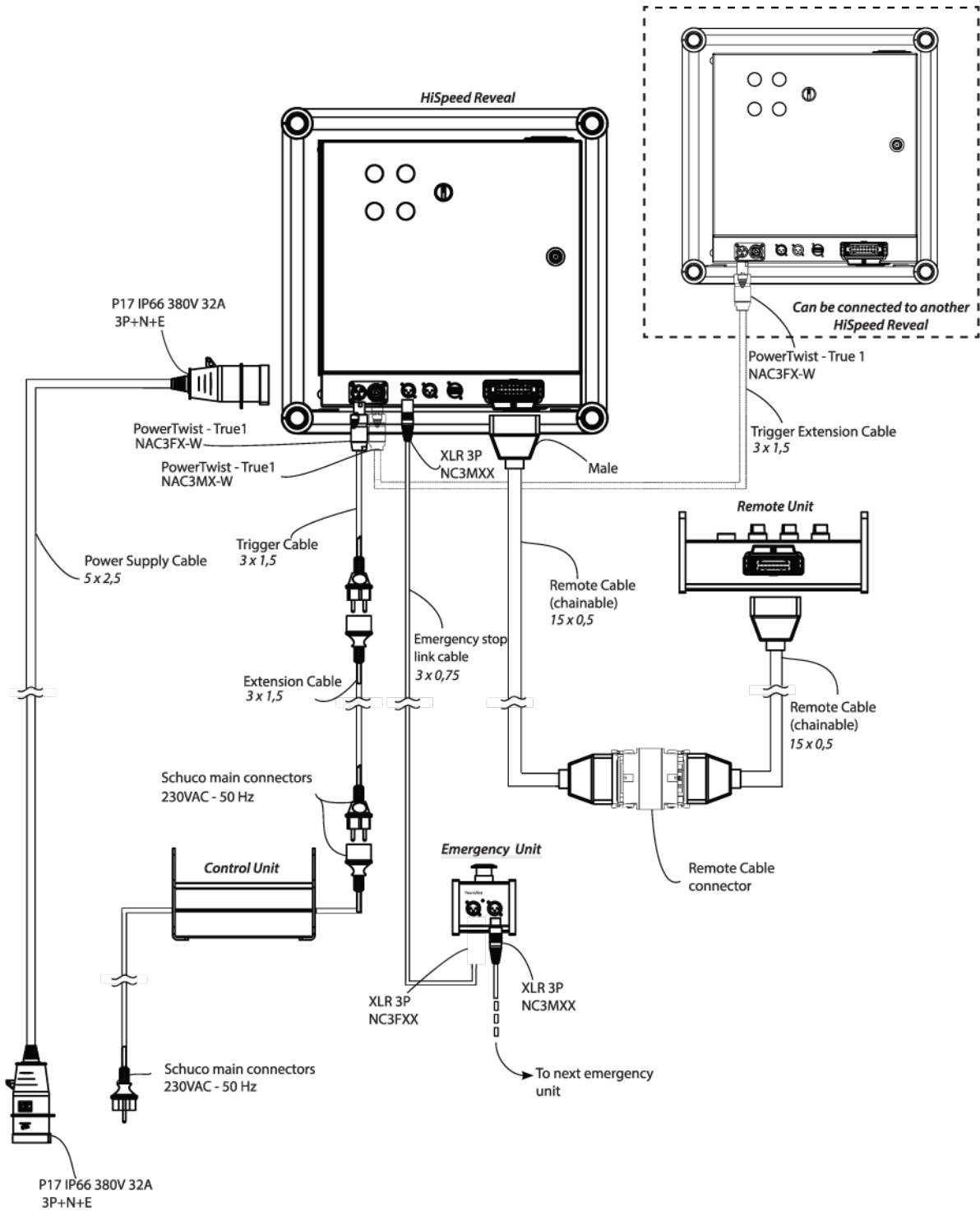
18. Ratchet Fastener

» COMPONENTS

Name	Article code	Colour	Weight	Info
1. HiSpeed Reveal	8140 3117 0087	Black/Aluminium	130 kg/piece	Dim: 52x52x250 cm Diam+: 10 cm
2. Rib Cord (2 mm)	7550 0002 0007	Black	0.45 kg/piece	-
	7550 0002 0003	White	0.45 kg/piece	-
3. Turn Coupler 750 kg	8700 0683 7497	Black	1.31 kg/piece	-
4. Remote Unit	8140 3117 0077	Black	2.75kg/piece	To load and arm the HSRV and slowfeed
5. Emergency Unit	8140 3117 0037	Black	0.75 kg/piece	-
6. Control Unit	8150 0950 0010	Black	0.82 kg/piece	To trigger the motion
7. Power Supply Cable CEE 32	8140 3117 0017	Black	6.00 kg/piece	Cable length: 10 m
8. Emergency Stop Link Cable	8140 3117 0047	Black	1.20 kg/piece	Cable length: 25 m To link multiple emergency units
9. Remote Cable	8140 3117 0057	Grey	6.50 kg/piece	Cable length: 25 m To connect Remote Unit to HSRV
10. Remote Cable Connector	8140 3117 0067	Grey	0.60 kg/piece	To connect 2 Remote Cables
11. Trigger Cable	0350 1410 1030	Black	0.78 kg/piece	Cable length: 5 m To connect Control Unit to HSRV
12. Extension Cable	-	Black	-	Cable length: 5,10, 25 m
13. USB Cable	0350 1410 1070	Black	0.13 kg/piece	Cable length: 1 m To connect laptop to HSRV
14. Trigger Extension Cable	8140 3117 0027	Black	3.28 kg/piece	Cable length: 25 m To link 2 HSRV and/or extend trigger
15. Adapter USB/UTP	8140 3117 0207	Black	0.04 kg/piece	To extend USB Cable
16. UTP Cable	0350 1410 1100	Grey	0.88 kg/piece	Cable length: 30 m
17. Truss Trolley	8140 6050 0507	-	12 kg/piece	Dim: 60.5x106.2x19.4 cm
18. Ratchet Fastener	8800 0372 3007	Black	0.25 kg/piece	Length: 300 cm
	8800 0372 5009	Black	0.25 kg/piece	Length: 500 cm

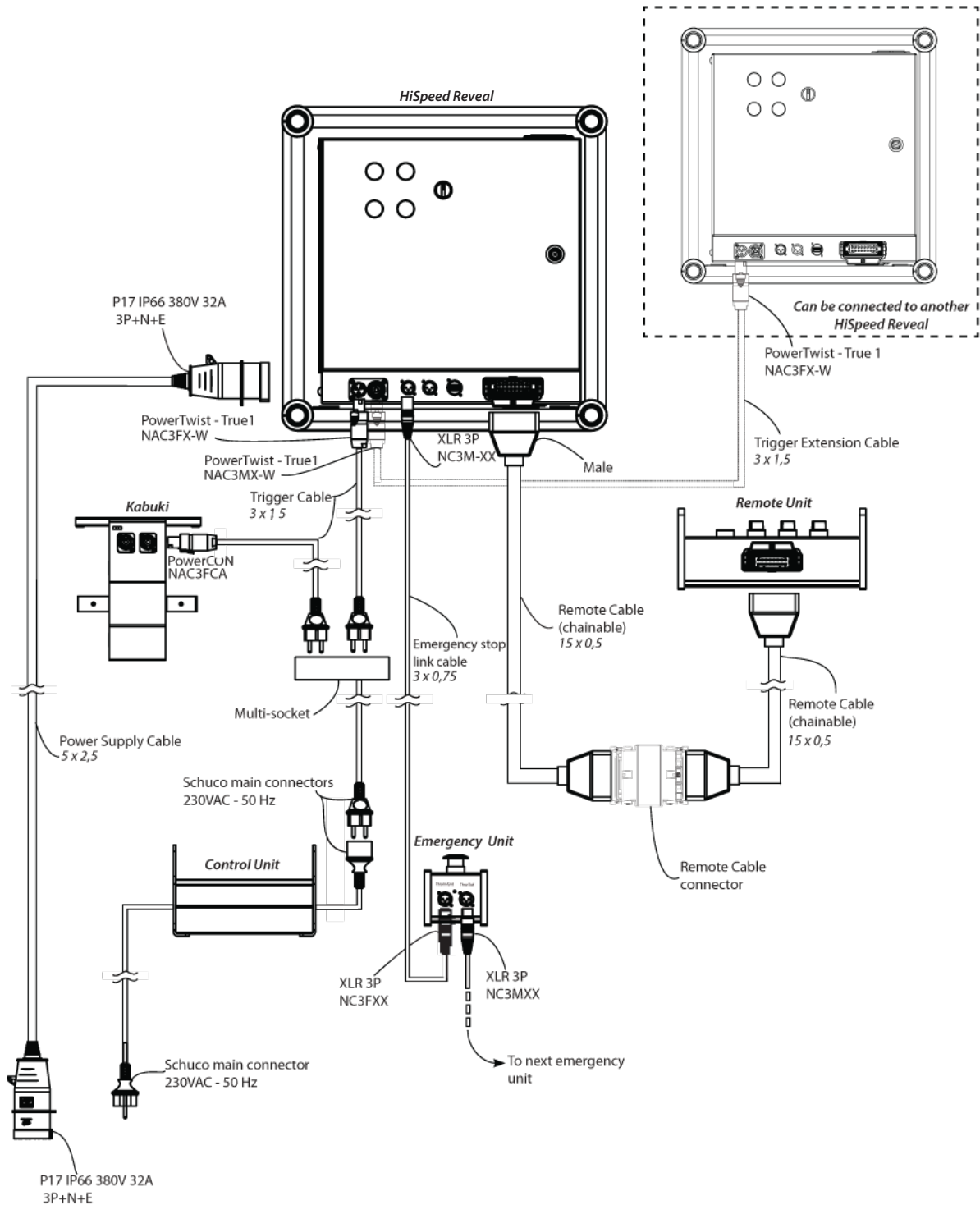
» ELECTRICAL WIRING & CONNECTORS

» REVEAL MODE



» ELECTRICAL WIRING & CONNECTORS

» KABUKI MODE



HAVE A GREAT SHOW!
MORE INFO ON WWW.SHOWTEX.COM